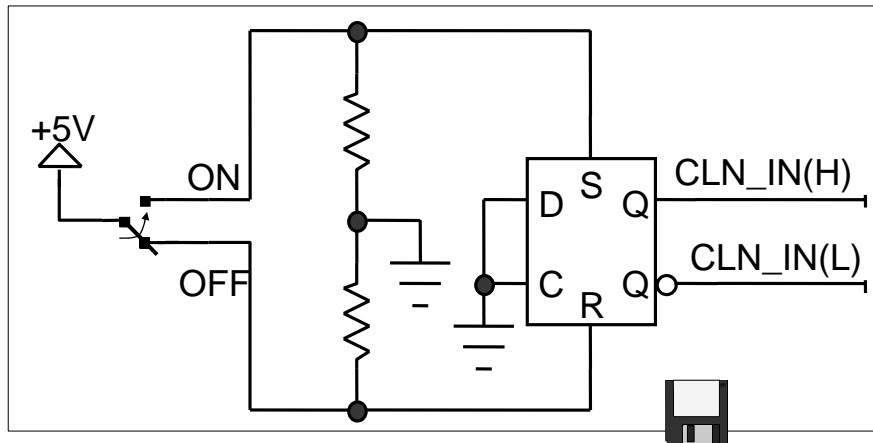


EEL 3701 Digital Switch Debounce Circuit (with SPDT)

- The S-R latch **should** be made with NAND's or NOR's
 > S-R latch below is made with a D-FF used as an S-R latch



University of Florida, EEL 3701 – File 13
 © Drs. Schwartz & Arroyo

Debounced_Switch.cct

26