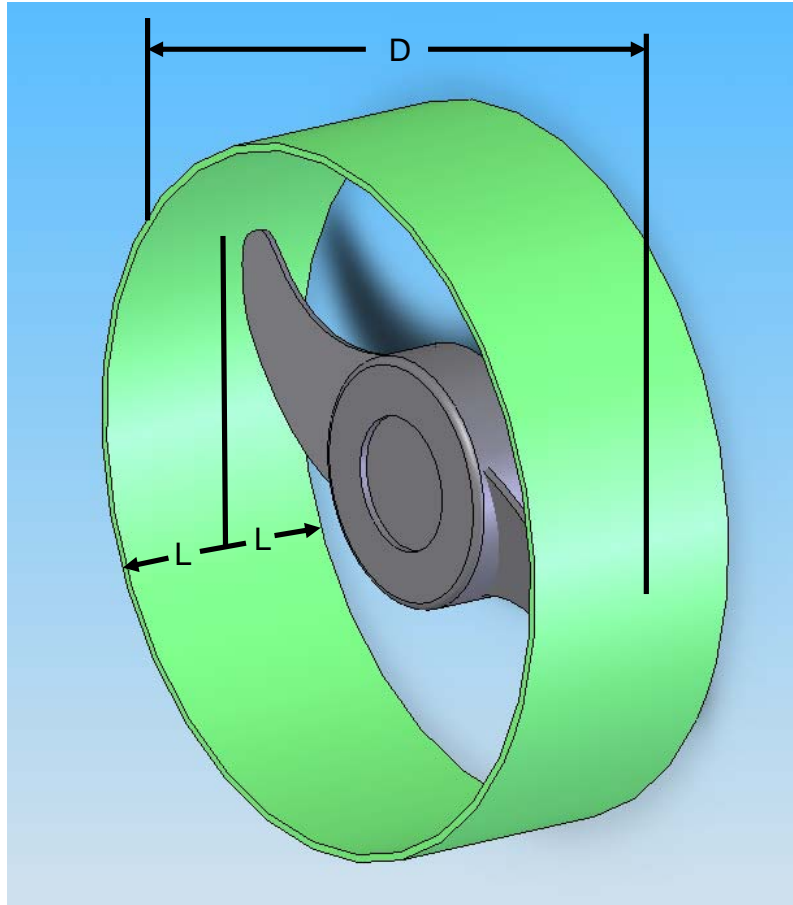


Clarification and Refinement of Prop Shrouds



If the diameter (D) of the shroud is 5" (12.7 cm) or less, the distance between the prop "disk" and the edges of the shroud (L) can be 1" (2.54 cm). If the diameter is greater than 5" (12.7 cm) then the distance between the prop "disk" and the edges of the shroud (L) need to be 2" (5.08 cm) or greater. The distance L can be substantially shorter (zero) if a grate is used to cover the opening of the shroud.