



EEL 3701

4.24. Given the circuit diagram of Fig. 4.34(a), complete the shown timing diagram in Fig. 4.34(b) for the signals \bar{A} and Z. Be sure to show and label the propagation delays t_{pHL} and t_{pLH} .

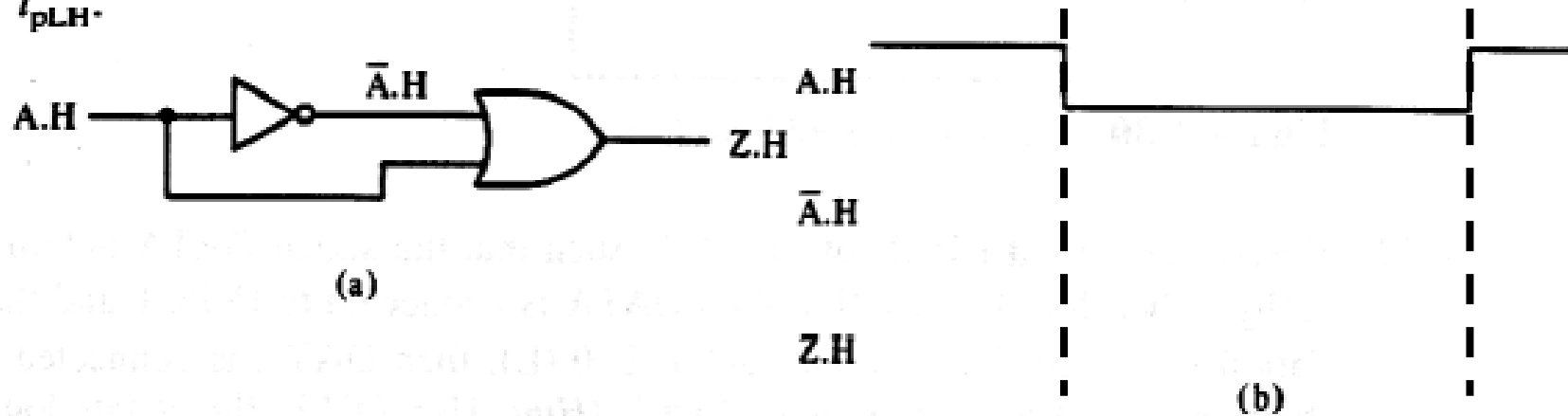


Figure 4.34 Gate and timing diagram for Problem 4.24.



EEL 3701

- 5.7. (a)** Analyze the circuit diagram of Fig. 5.32(a) and complete the timing diagram of Fig. 5.32(b). Do not show the propagation delays.
- (b)** Assuming that the circuit of Fig. 5.32(a) represents a type of flip-flop, derive its characteristic table and its condensed characteristic table.
- (c)** Derive its excitation table.

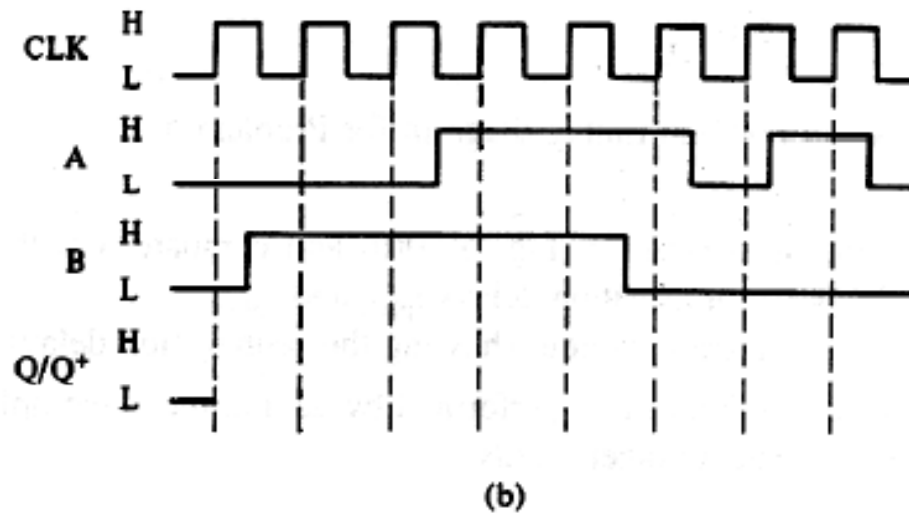
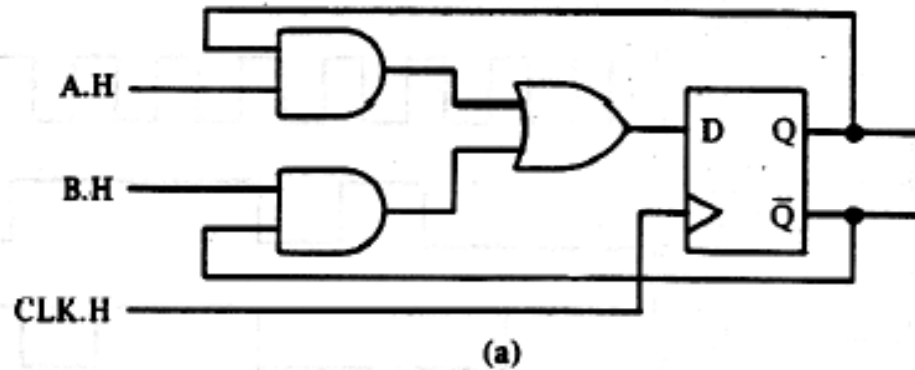


Figure 5.32 Circuit and timing diagrams for Problem 5.7.



EEL 3701

