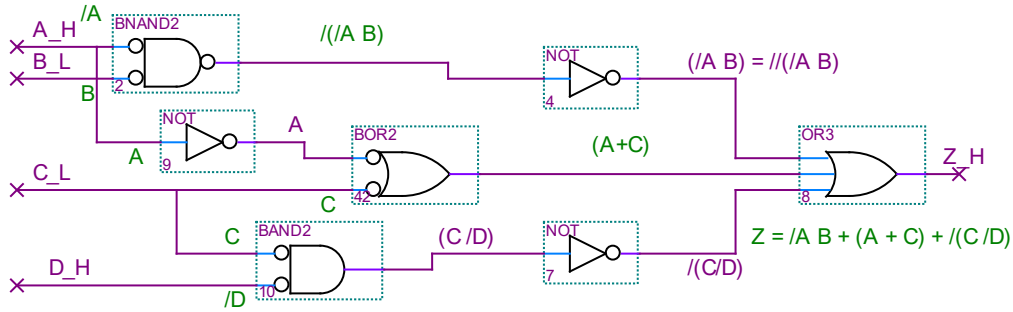


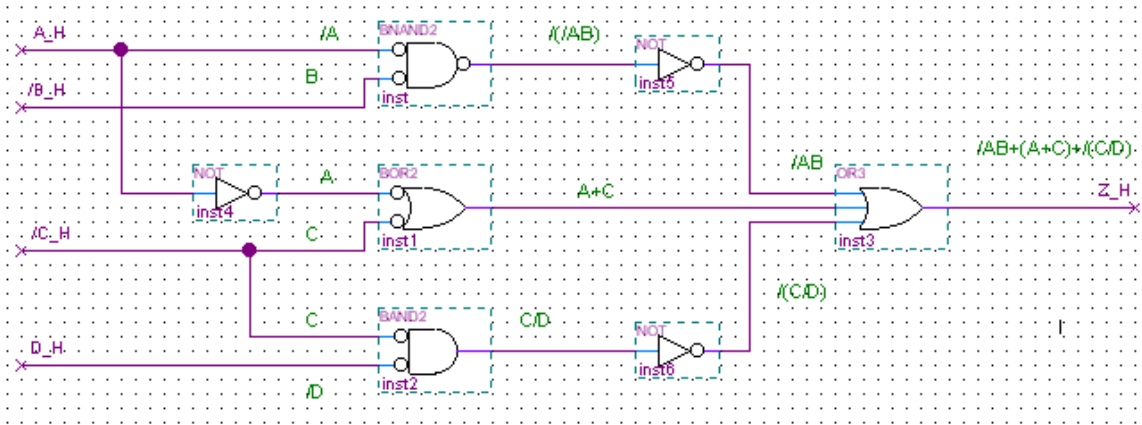
Homework 4 Solutions

From Lam, O'Malley Textbook

3.13



3.16

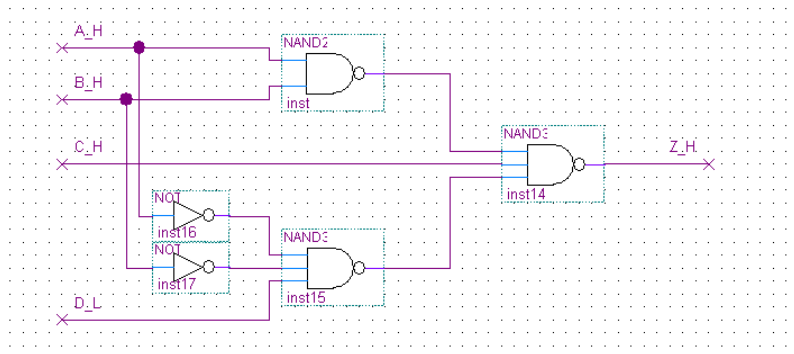


3.20

a) $Z = AC + B/CD + /C$

b) $Z = /(A + B + /D) (A + C)$

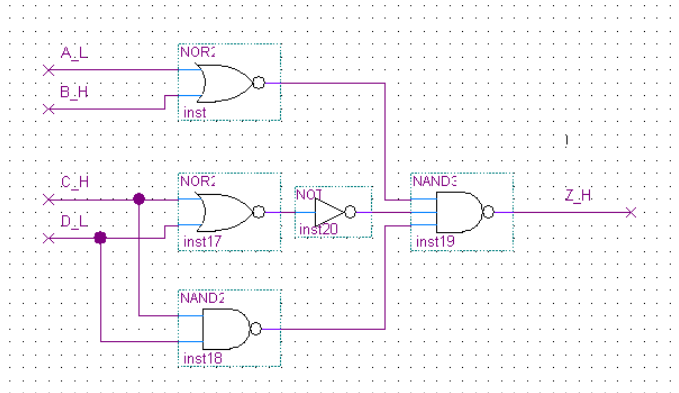
3.26a



Homework 4 Solutions

From Lam, O'Malley Textbook

3.26c



3.26e

