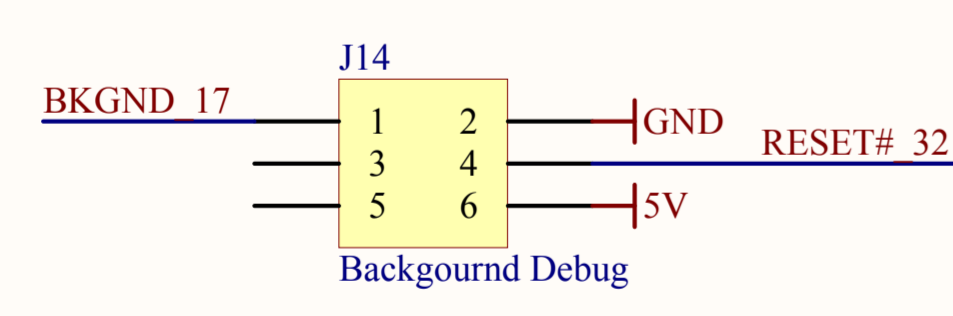
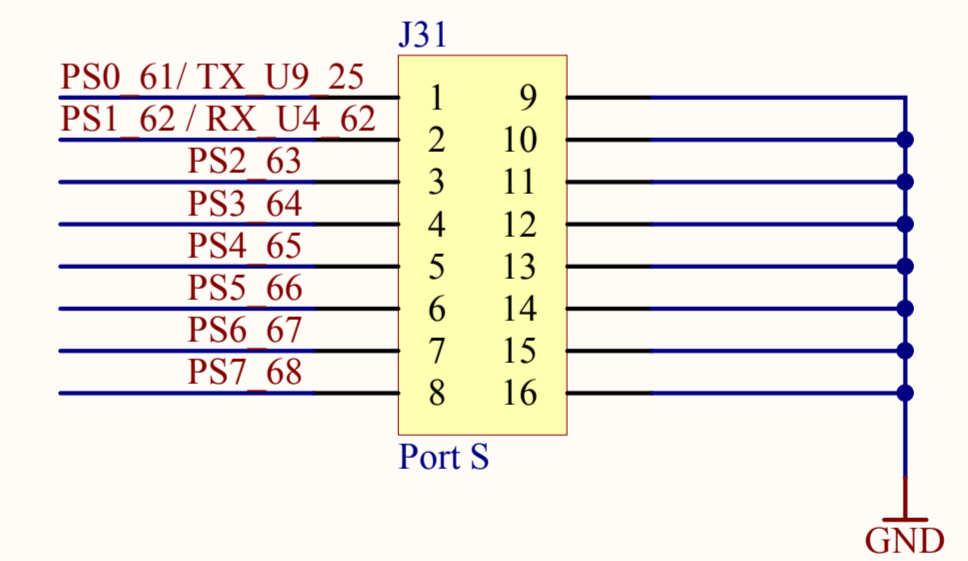
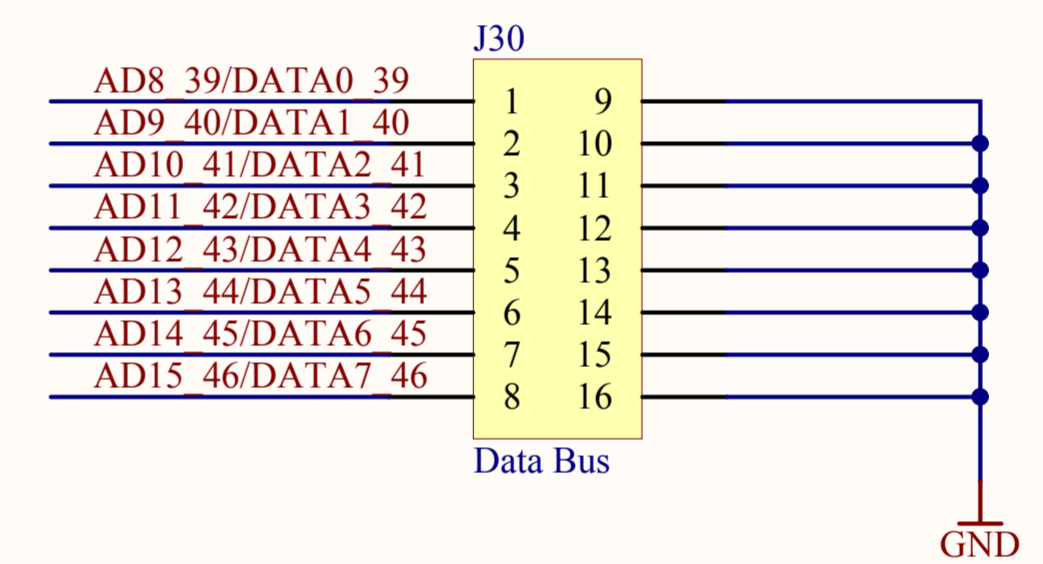
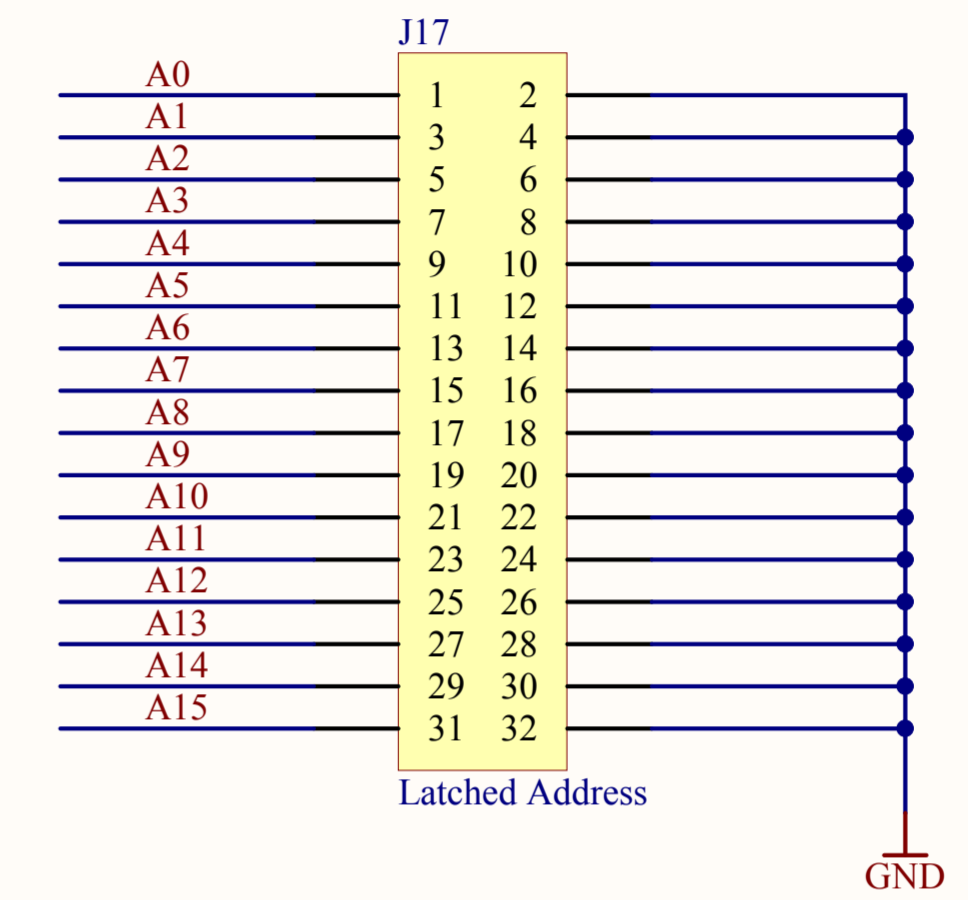
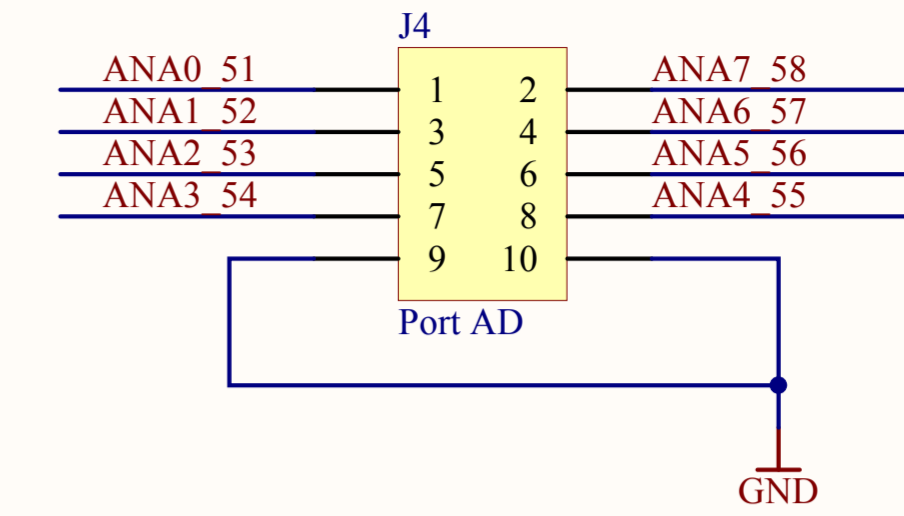
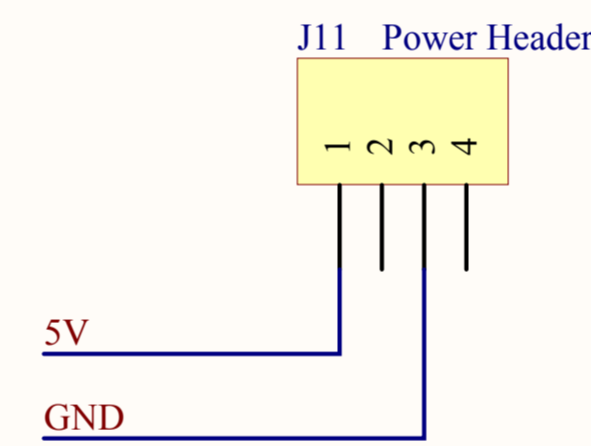
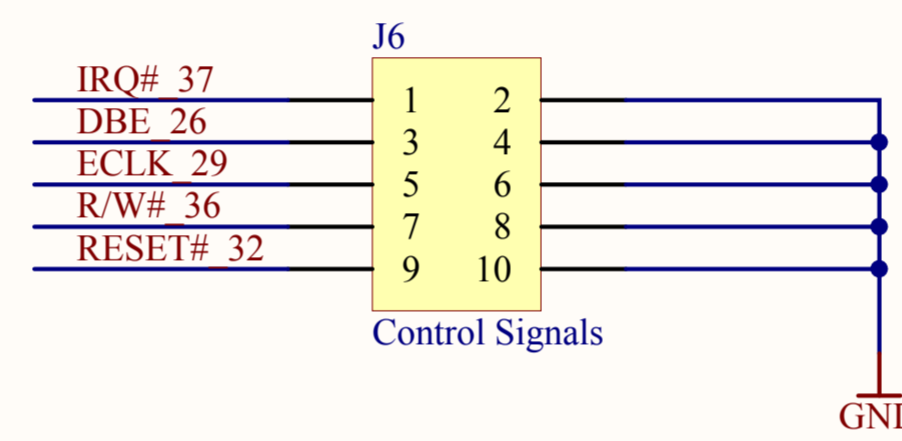
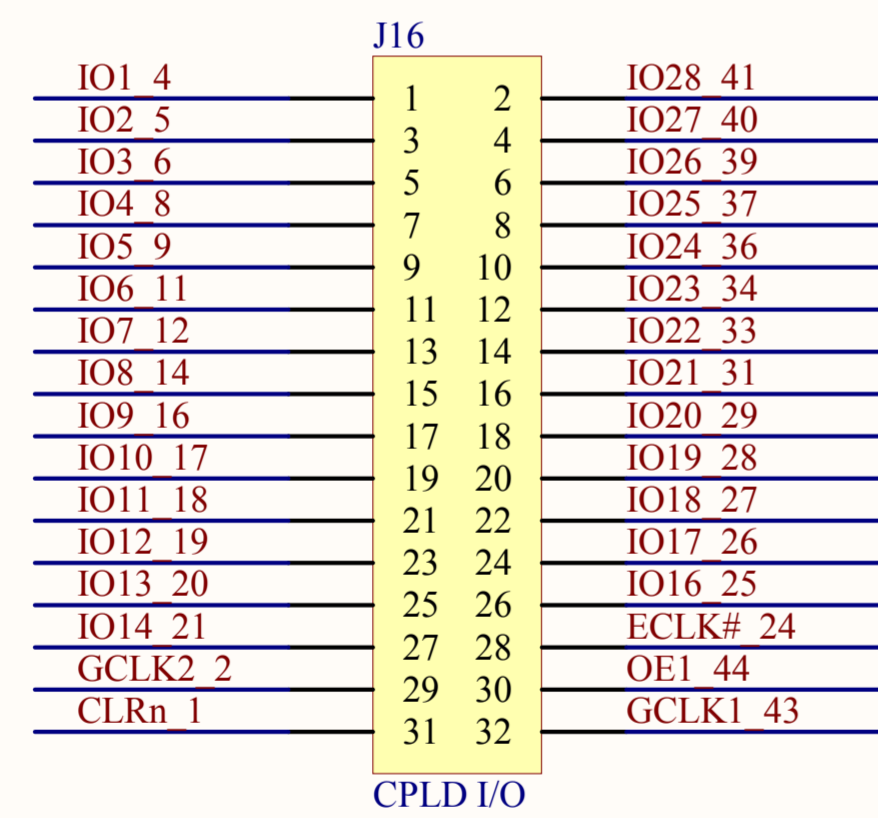
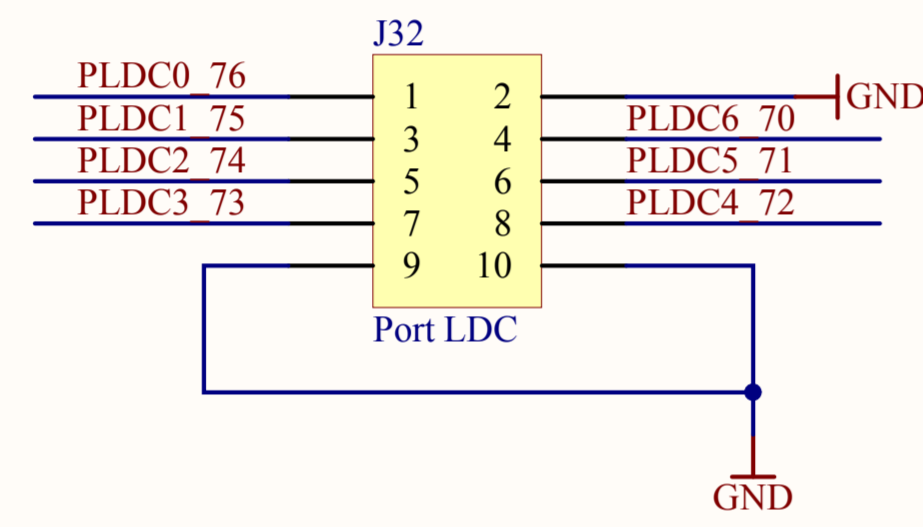
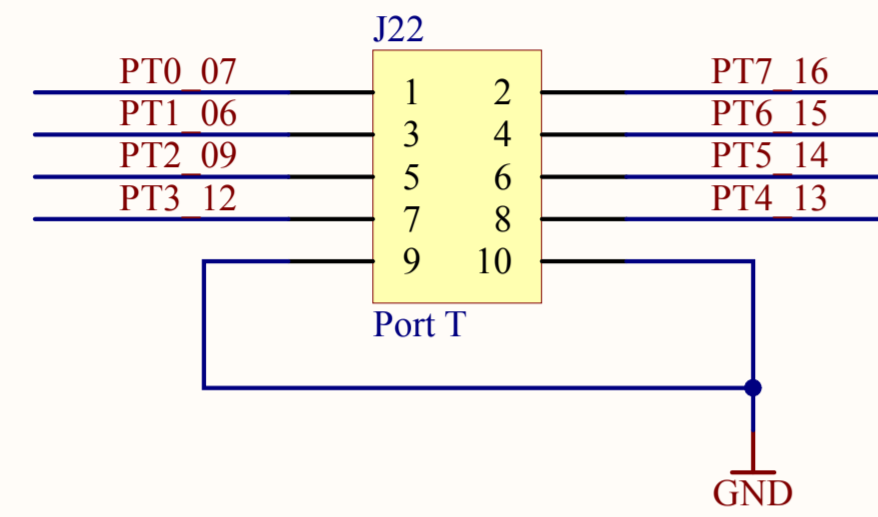
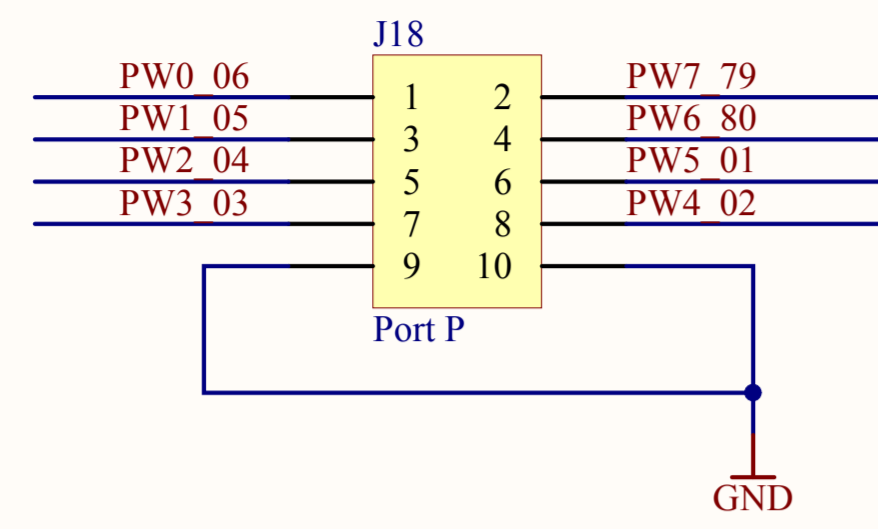


Background Debug Header



C:\Program Files\...\CORE.SCHDOC

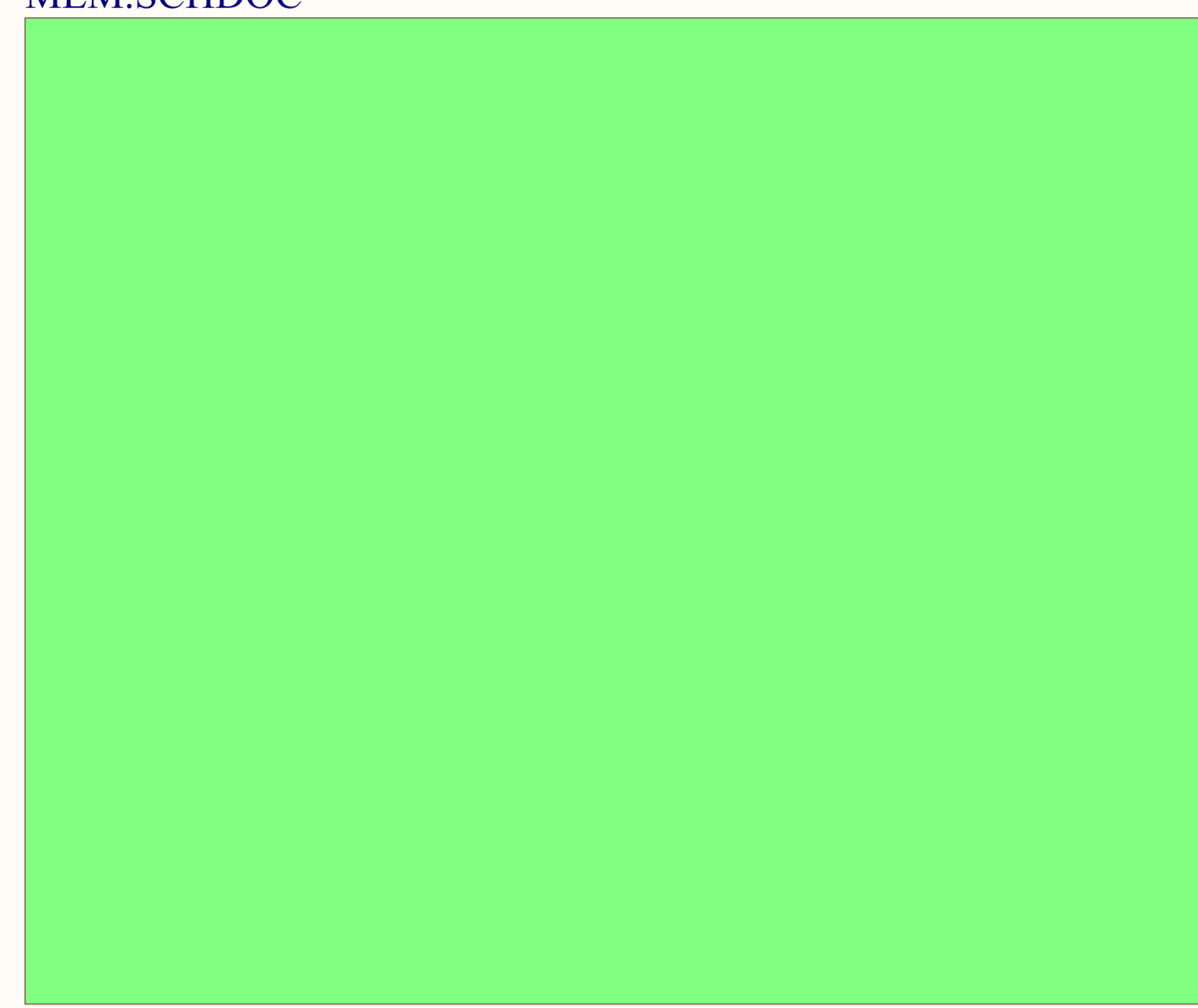
Title		
CORE SCHEMATIC		
Size	Number	Revision
B	C:\Program Files\...\MAIN.SCHDOC	V4.0
Date:	2/1/2008	Sheet of 3 of 4
File:	C:\William\...\CORE.SCHDOC	Drawn By: Calhoun/ Santoro



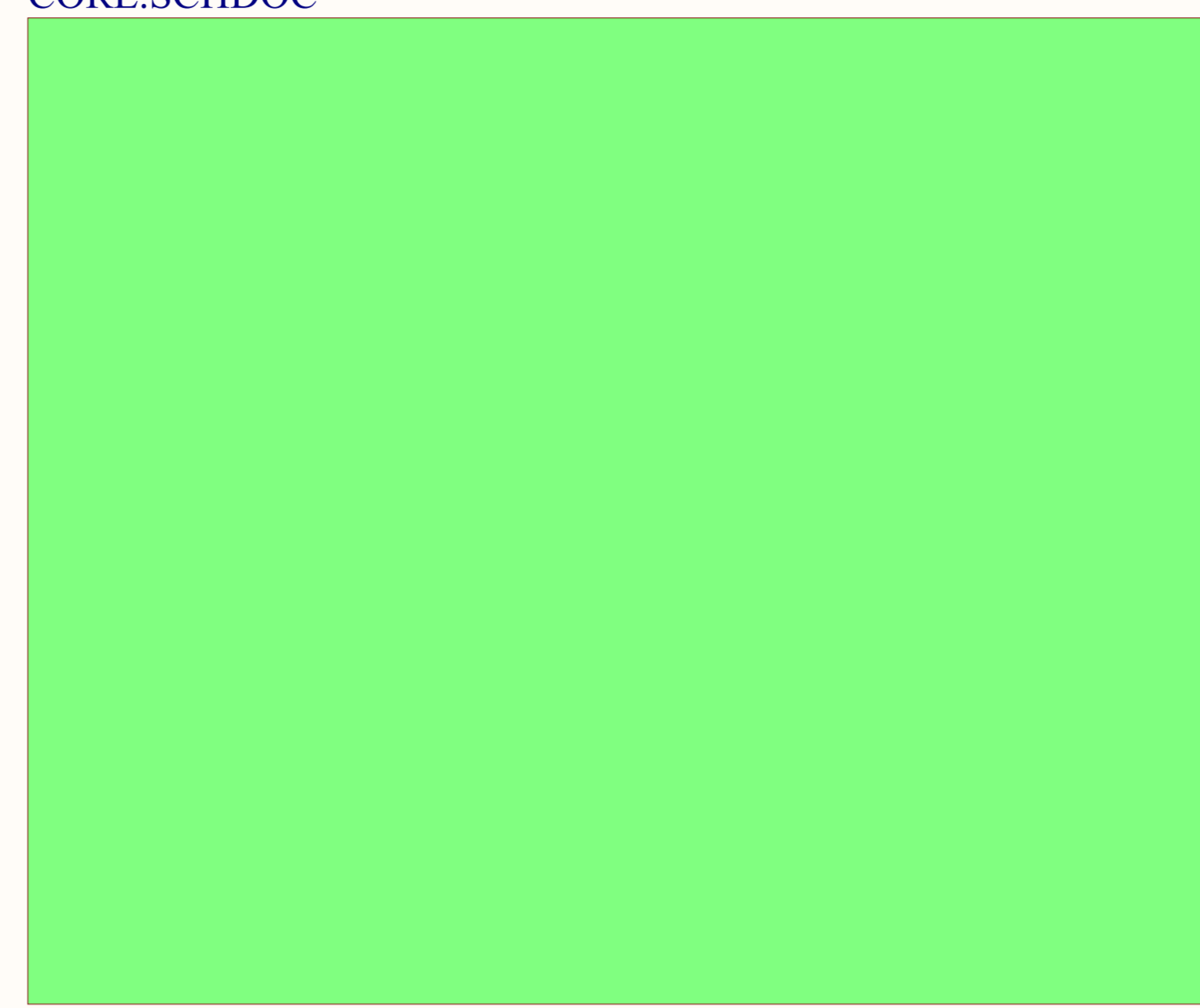
C:\Program Files\..\HEADER.SCHDOC

Title		
HEADER SCHEMATIC		
Size	Number	Revision
B	C:\Program Files\..\HEADER.SCHDOC	V4.0
Date:	2/1/2008	Sheet of 4 of 4
File:	C:\William\..\HEADER.SCHDOC	Drawn By: Calhoun/ Santoro

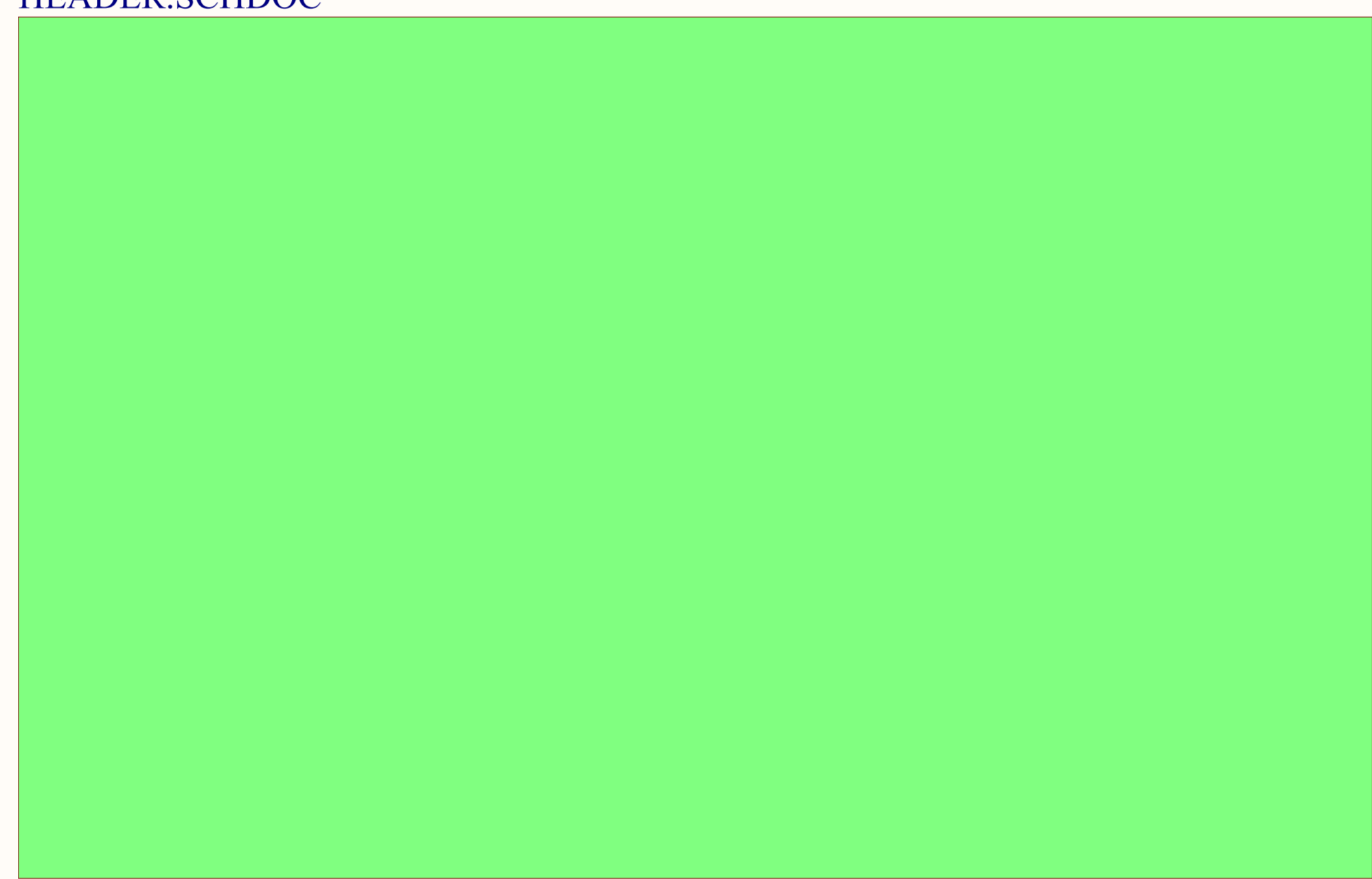
Designator
MEM.SCHDOC



Designator
CORE.SCHDOC



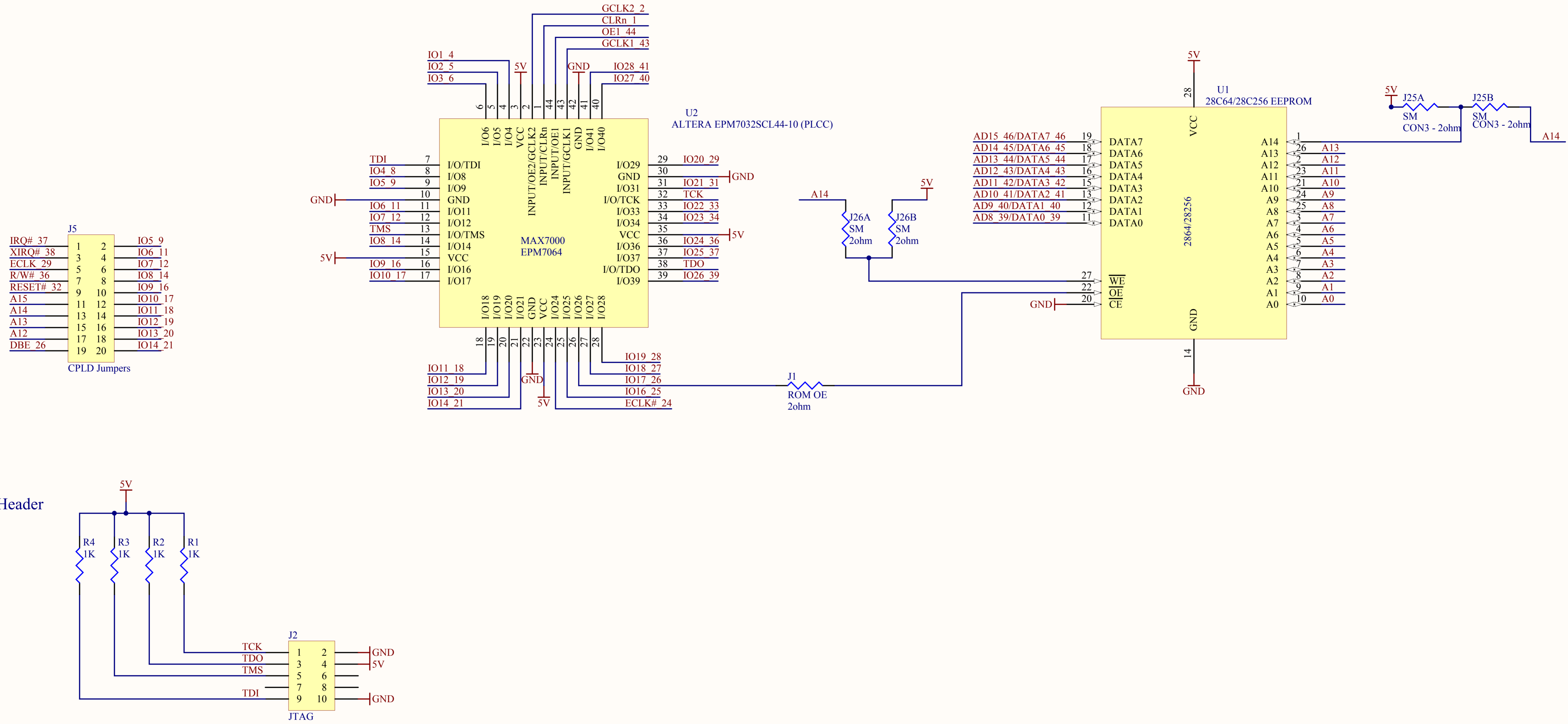
Designator
HEADER.SCHDOC



BUGS
1. Increase outer pad size for EEPROM
2. Move vias

Title		
MAIN SCHEMATIC		
Size	Number	Revision
A	C:\Program Files\..\MAIN.SCHDOC	V4.0
Date:	2/1/2008	Sheet of 1 of 4
File:	C:\William\..\MAIN.SCHDOC	Drawn By: Calhoun/Santoro

EEPROM and CPLD



C:\Program Files\..\MEM.SCHDOC

Title		
MEMORY SCHEMATIC		
Size	Number	Revision
B	C:\Program Files\..\MEM.SCHDOC	V4.0
Date:	2/1/2008	Sheet of 2 of 4
File:	C:\William\..\MEM.SCHDOC	Drawn By: Calhoun / Santoro

