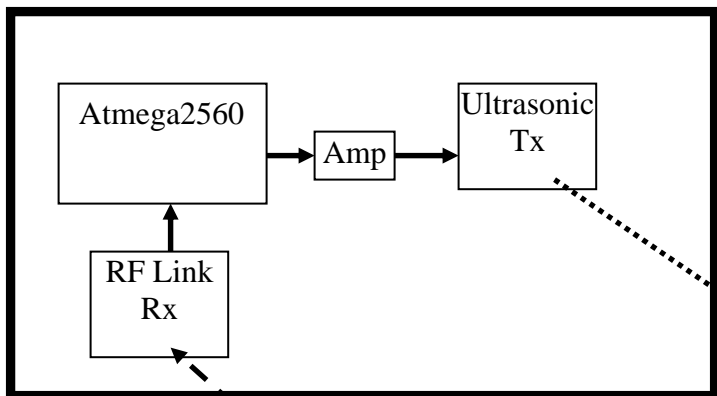
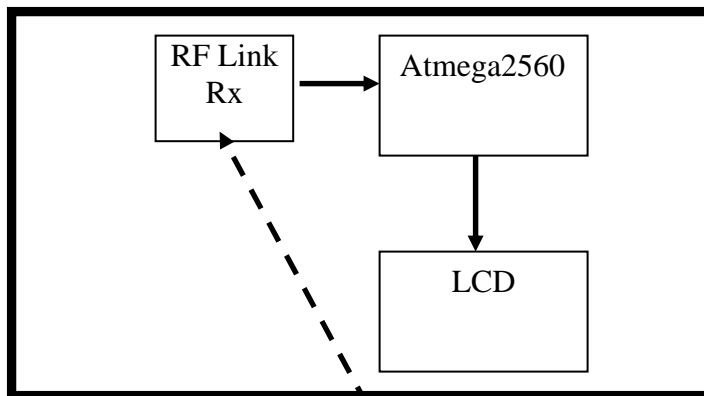


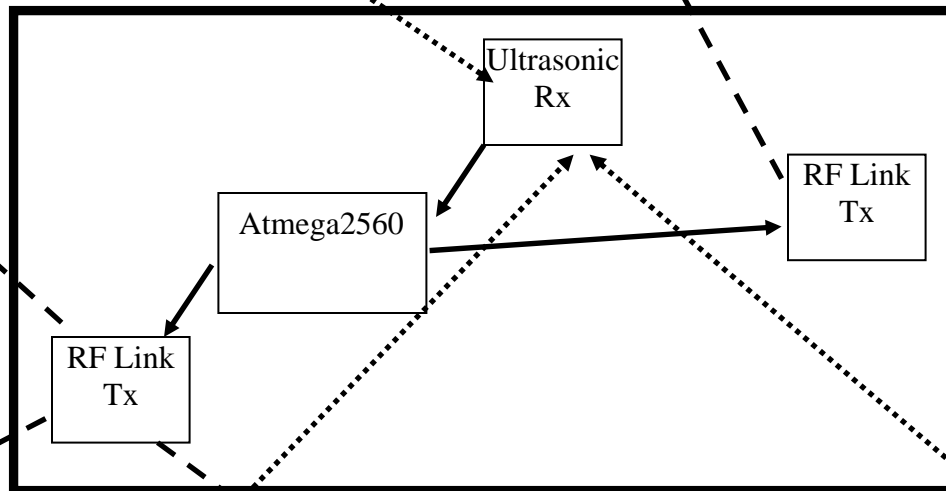
### BEACON 3



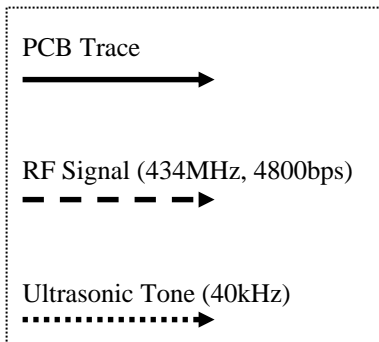
### HANDHELD DISPLAY



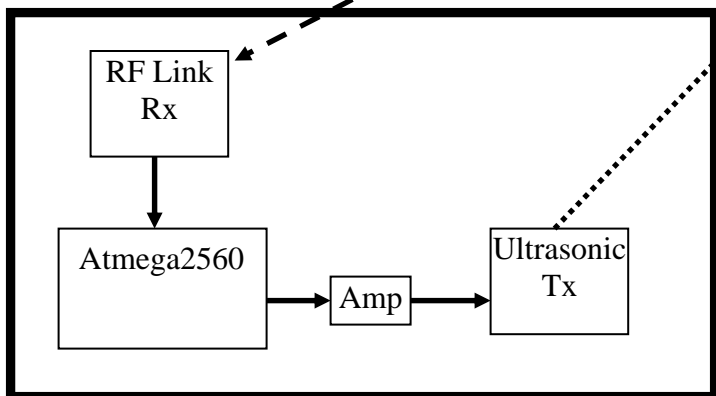
### RECEIVER



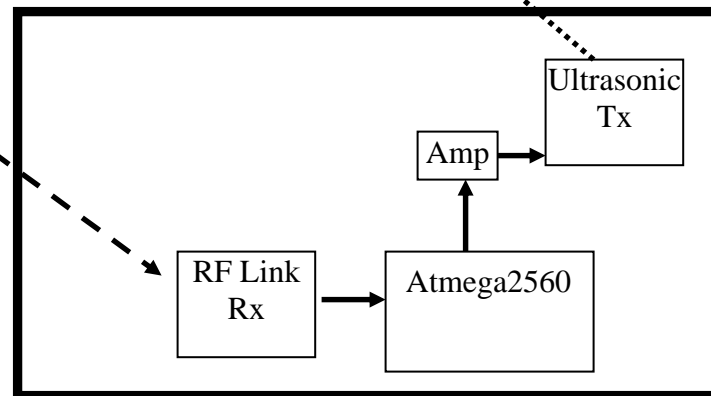
### LEGEND



### BEACON 1



### BEACON 2



## Connections between components

Beacons 1 through 3 utilize identical architecture:

- Atmega2560 connects to RF receiver through USART0

- Atmega2560 connects to Amplifier through PortB.1

- Amplifier output is connected to ultrasonic transmitter

On the receiver unit:

- Atmega2560 connects to RF transmitter to beacons through USART0

- Atmega2560 connects to Ultrasonic receiver through PortB.4 (timer required here)

- Atmega2560 connects to RF transmitter to handheld unit through USART3

On handheld display unit:

- Atmega2560 connects to RF receiver through USART0

- Atmega2560 connects to LCD through PortA